

# Masport®

## INBUILT WOOD FIRE

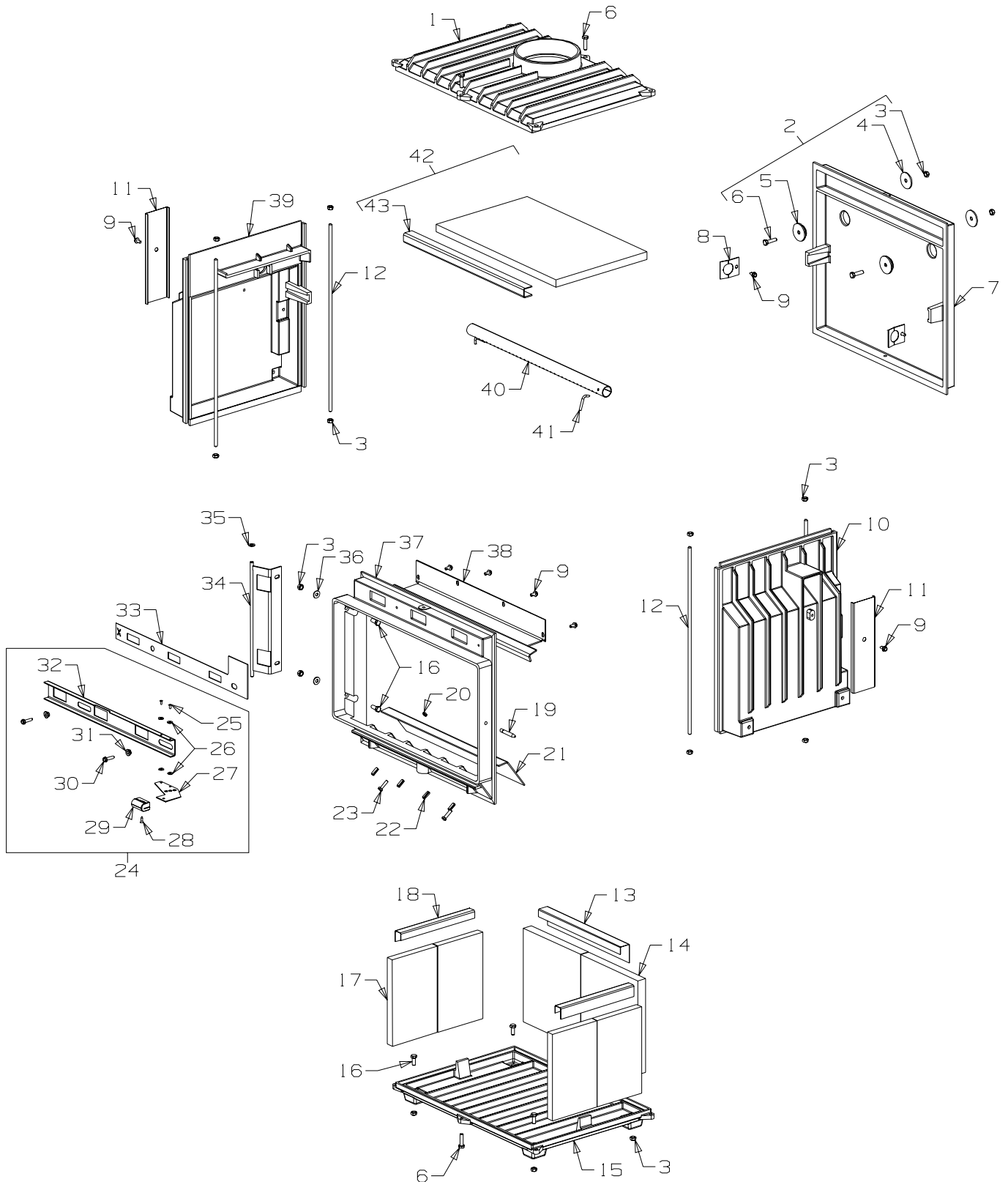
### GRANDE PROVINCIAL (NZ & AUST)

|  |        |        |
|--|--------|--------|
| Grande Provincial (complete with Fascia) | 995951 | Page 2 |
| Fan (standard with 995951)               | 995650 | Page 5 |
| Zero Clearance Kit                       | 995960 | Page 6 |
| Zero Clearance Fascia                    | 995962 | Page 7 |
| Zero Clearance Flue Kit                  | 551458 | Page 8 |
| Zero Clearance Extension Kit             | 551459 | Page 8 |
| Standard Flue                            | 551460 | Page 9 |

**From Serial Number 3031290**

**Month and Year of First Manufacture: November 2002**

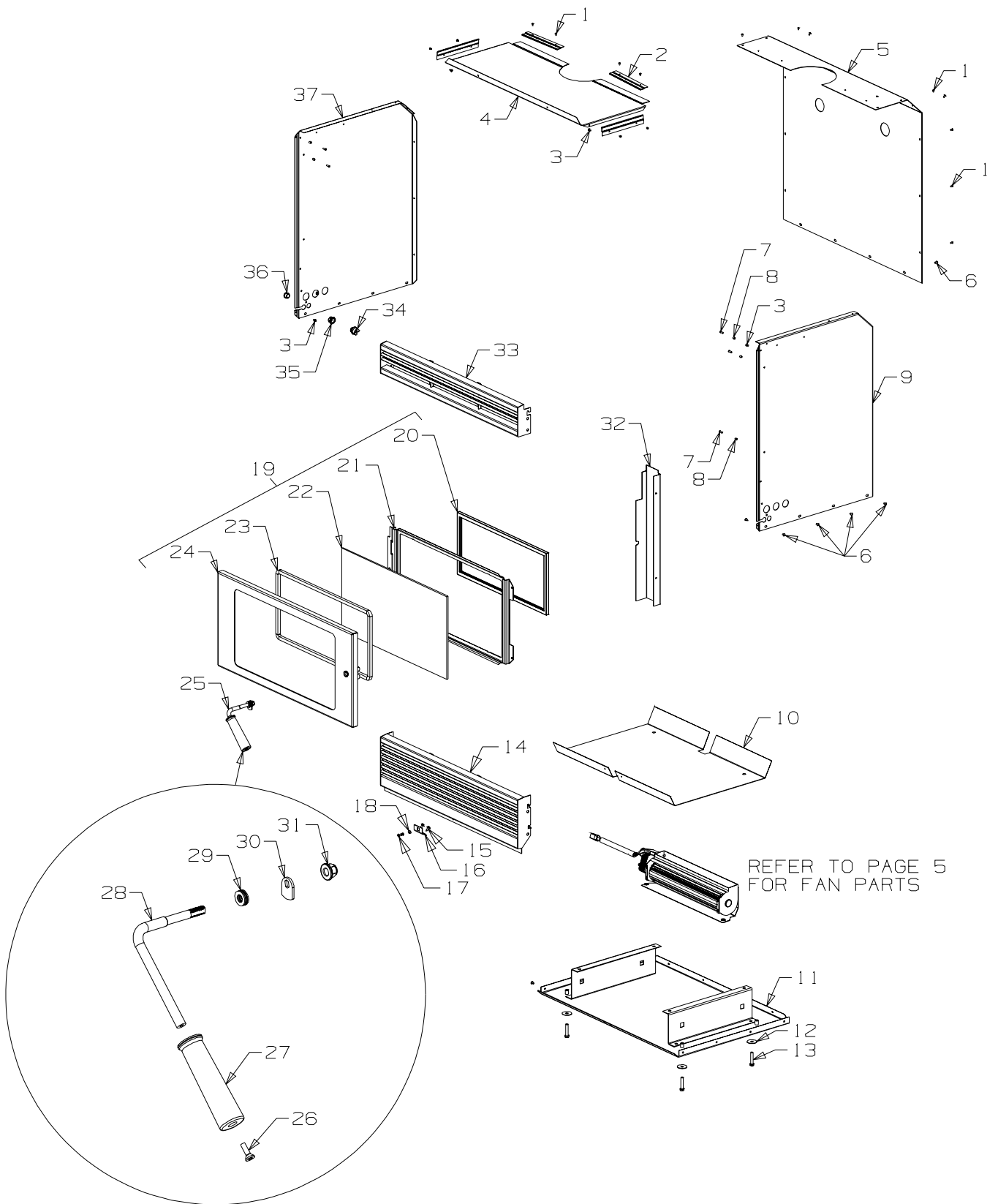






| Item No | Part No | Description   | Qty | Item No | Part No | Description                                    | Qty |
|---------|---------|---|-----|---------|---------|--|-----|
| 1       | 987302  | Firebox-Top   | 1   | 24      | 795549  | <b>Air Slide Assembly</b>                      | 1   |
| 2       | 984090  | <b>Plug Assy-34mm Dia (incl. item 2 (2))</b>                | 2   | 25      | 586167  | • Rivet-Pop 4.0 Dia x 4.8                      | 2   |
| 3       | 501602  | • Nut, M8 (2)   | 16  | 26      | 500848  | • Washer; Flat 3/16" x .5                      | 4   |
| 4       | 502093  | • Washer, Flat 8 x 42 x 3                                   | 2   | 27      |         | NOT AVAILABLE                                  |     |
| 5       |         | NOT AVAILABLE   |     | 28      | 503004  | • Screw; CSK No. 8 x 5/8"                      | 1   |
| 6       | 501685  | • Screw, Set M8 x 30 (2)                                    | 6   | 29      | 986162  | • Knob-Air Control                             | 1   |
| 7       | 987303  | Firebox-Back  | 1   | 30      | 503336  | • Screw, T/F M6 x 25                           | 2   |
| 8       | 995541  | Bracket-Retaining, Board                                    | 2   | 31      | 995091  | • Spacer-Air Slide                             | 2   |
| 9       | 503003  | Screw; S/T 1/4" x .5  | 8   | 32      | 995549  | • Slide-Air, Inlet 25 x 50                     | 1   |
| 10      | 795522  | Firebox-Side RH   | 1   | 33      | 995681  | Plate, Back-Meter "X"                          | 1   |
| 11      | 786146  | Cover-Secondary Air   | 2   |         | 995628  | Plate, Back-Meter<br>- Turn Down               | 1   |
| 12      | 587108  | Rod-Tie, M8   | 4   | 34      | 995651  | Hinge Assy                                     | 1   |
| 13      | 987146  | Channel-Brick Retainer                                      | 1   | 35      | 006025  | Washer; Flat 5/16"                             | 1   |
| 14      | 787112  | Brick-Fire, Back<br>223 x 250 x 25                          | 2   | 36      | 501606  | Washer, Flat 8 x 19 x 1.6                      | 14  |
| 15      | 987304  | Firebox-Bottom  | 1   | 37      | 795558  | Firebox-Front                                  | 1   |
| 16      | 501597  | Screw, Set M8 x 20  | 6   | 38      | 995659  | Deflector-Primary Air                          | 1   |
| 17      | 795546  | <b>Bricks-Firebox, Side<br/>143 x 230 x 20 (2 per pack)</b> | 2   | 39      | 795517  | Firebox-Side LH                                | 1   |
| 18      | 995552  | •Channel-Brick Retainer                                     | 2   | 40      | 995288  | Tube-Secondary Air, 33 x 3.5                   | 1   |
| 19      | 995657  | Pin-Door Catch  | 1   | 41      | 586439  | Pin-Retaining,<br>Secondary Air Tube           | 1   |
| 20      | 501682  | Nut, M6   | 2   | 42      | 787109  | <b>Board Assy-Firebox, Top</b>                 | 1   |
| 21      | 986720  | Plate-Base Inner  | 1   | 43      | 993048  | •Channel-Baffle Reinforcer                     | 1   |
| 22      | 503008  | Pin, Tension 8 x 20   | 4   |         | 987373  | <b>Board Assy-Firebox, Top<br/>(Pack of 5)</b> | 1   |
| 23      | 501963  | Screw, Set M6 x 25  | 2   |         | 993048  | •Channel-Baffle Reinforcer                     | 5   |

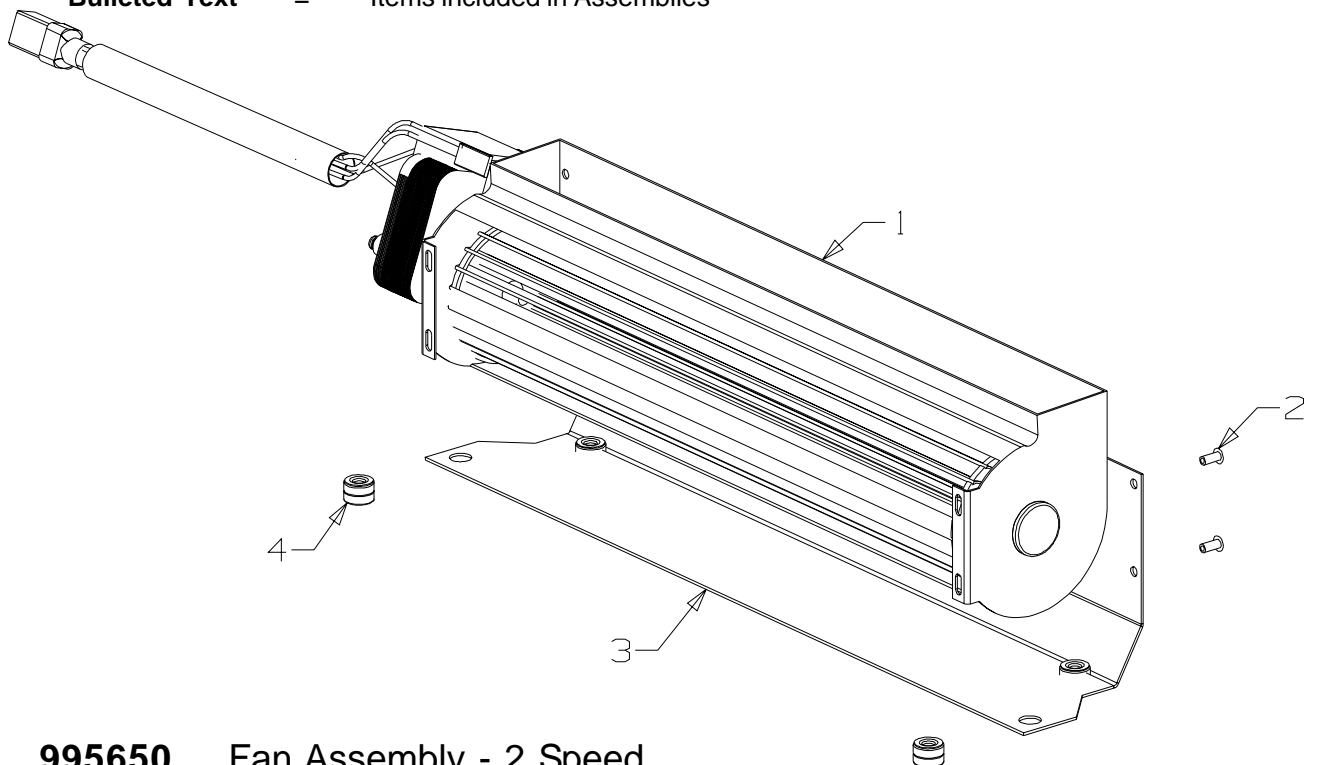
**Bold Text** = Assemblies  
**Bulleted Text** = Items included in Assemblies





| Item No | Part No       | Description               | Qty       | Item No | Part No       | Description                                   | Qty      |
|---------|---------------|---------------------------|-----------|---------|---------------|---|----------|
| 1       | <b>501767</b> | Rivet-Pop 3.2 Dia x 3.2   | <b>22</b> | 19      | <b>795685</b> | <b>Door Assy - Black</b>                      | <b>1</b> |
| 2       | <b>986514</b> | Case-Outer, Guide Rail    | <b>4</b>  | 20      | <b>700861</b> | • Tape-Flat 6 x 38 x 2m                       | <b>1</b> |
| 3       | <b>586737</b> | Screw, S/T 8 x 10         | <b>10</b> | 21      | <b>994516</b> | • Retainer-Glass                              | <b>1</b> |
| 4       | <b>995642</b> | Case-Outer Top            | <b>1</b>  | 22      | <b>793031</b> | • Glass 548 x 293 x 5                         | <b>1</b> |
| 5       | <b>995645</b> | Case-Outer, Rear          | <b>1</b>  | 23      | <b>700755</b> | • Rope-Round - Glass Fibre<br>(16 x 2 metres) | <b>1</b> |
| 6       | <b>503272</b> | Rivet-Pop 4.8 Dia x 4.8   | <b>12</b> | 24      | <b>795648</b> | • Door Assy - Black                           | <b>1</b> |
| 7       | <b>501303</b> | Rivet-Pop 4.0 Dia x 7.9   | <b>6</b>  | 25      | <b>795641</b> | • <b>Handle Assy-Door</b>                     | <b>1</b> |
| 8       | <b>986148</b> | Spacer-Grille             | <b>9</b>  | 26      | <b>595670</b> | • Screw, Csk M6 x 20                          | <b>1</b> |
| 9       | <b>995646</b> | Case-Outer, Side RH       | <b>1</b>  | 27      | <b>595655</b> | • Handle-Door, Wood                           | <b>1</b> |
| 10      | <b>995643</b> | Heatshield-Bottom         | <b>1</b>  | 28      | <b>595641</b> | • Handle Assy                                 | <b>1</b> |
| 11      | <b>995678</b> | Base Assembly             | <b>1</b>  | 29      | <b>501704</b> | • Washer, Flat 10 x 19 x 1.6                  | <b>4</b> |
| 12      | <b>501021</b> | Washer; Flat 5/16" x 1.25 | <b>4</b>  | 31      | <b>503672</b> | Nut, M10 Flange                               | <b>1</b> |
| 13      | <b>501843</b> | Screw, Set M8 x 40        | <b>4</b>  | 30      | <b>984571</b> | Latch-Door Catch                              | <b>1</b> |
| 14      | <b>795686</b> | Grille Assy-Lower - Black | <b>1</b>  | 32      | <b>995669</b> | Heatshield, Knob                              | <b>1</b> |
| 15      | <b>503704</b> | Screw; S/T 8 x .5         | <b>2</b>  | 33      | <b>795684</b> | Grille Assy-Upper - Black                     | <b>1</b> |
| 16      | <b>990281</b> | Plate-Latch               | <b>1</b>  | 34      | <b>502068</b> | Clamp-Cable, Little Gripper                   | <b>1</b> |
| 17      | <b>503817</b> | Stud-Dzus                 | <b>1</b>  | 35      | <b>577089</b> | Nut; Cable Gripper                            | <b>1</b> |
| 18      | <b>503818</b> | Grommet-Dzus              | <b>1</b>  | 36      | <b>586734</b> | Bush-Plastic                                  | <b>1</b> |
|         |               |                           |           | 37      | <b>995647</b> | Case-Outer, Side LH                           | <b>1</b> |

**Bold Text** = Assemblies  
**Bulleted Text** = Items included in Assemblies

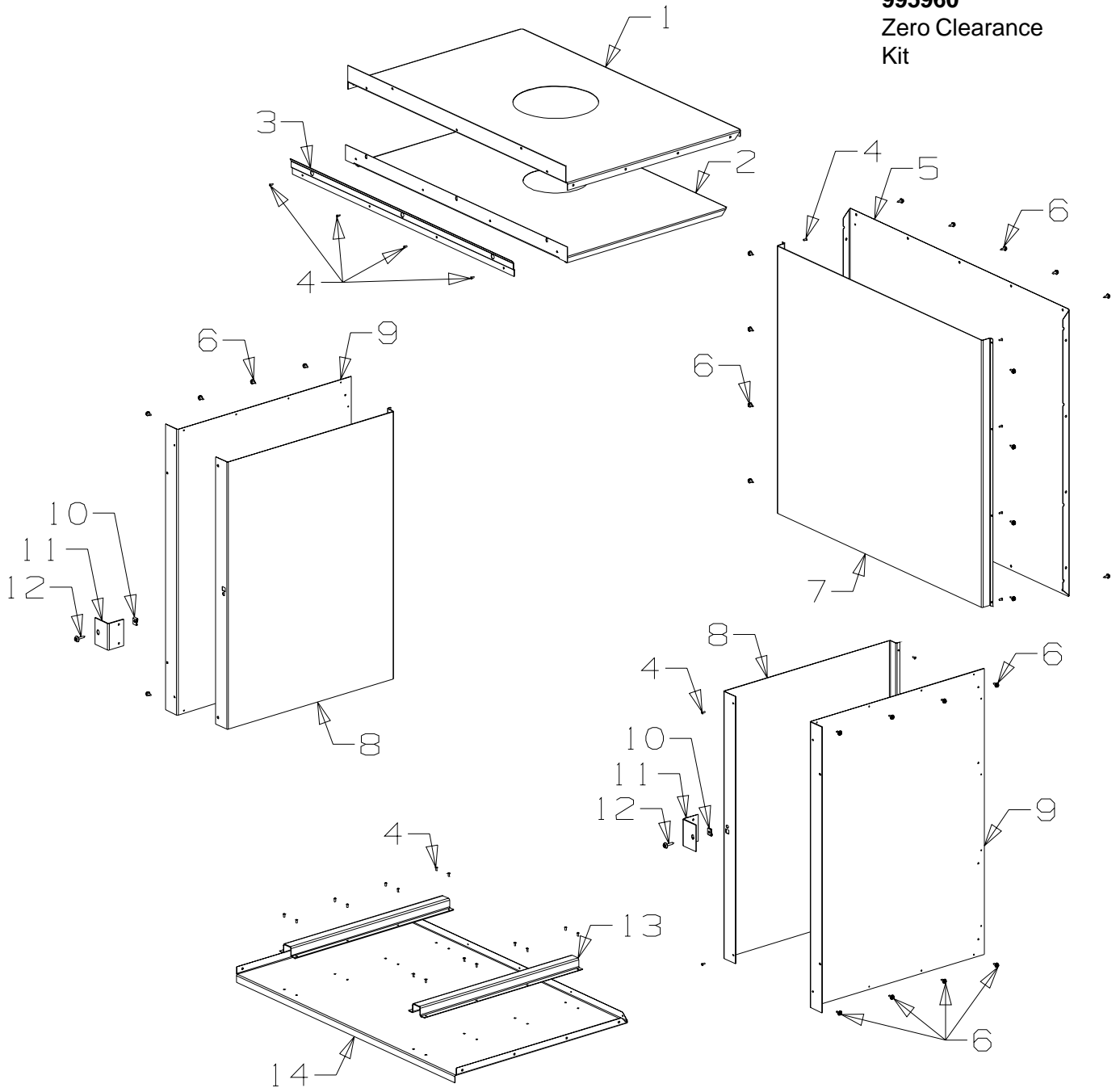


## 995650 Fan Assembly - 2 Speed

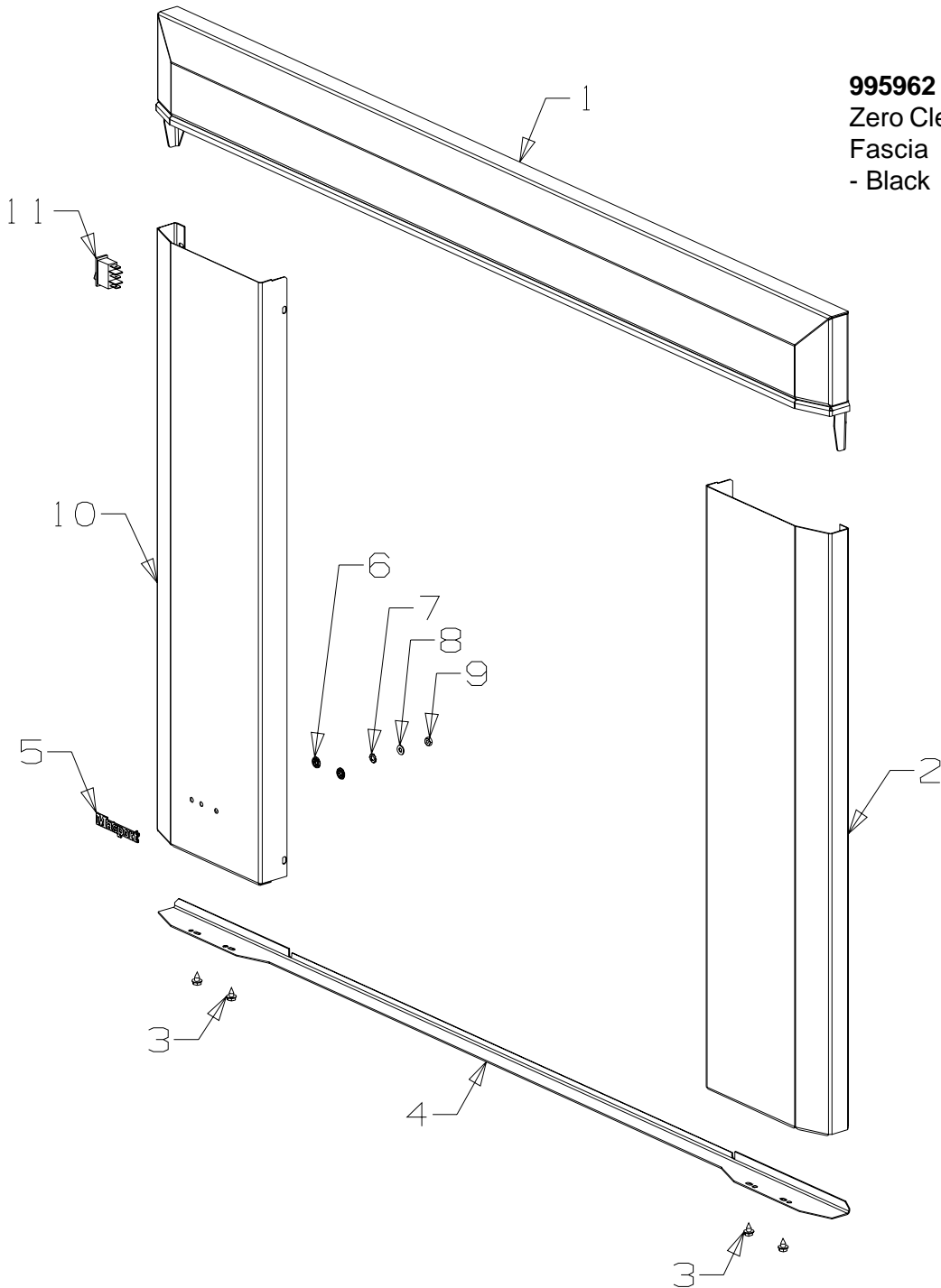
| Item No | Part No       | Description              | Qty      | Item No                | Part No | Description         | Qty      |
|---------|---------------|--------------------------|----------|------------------------|---------|---------------------|----------|
| 1       | <b>595652</b> | Fan - 2 Speed            | <b>1</b> | <b>NOT ILLUSTRATED</b> |         |                     |          |
| 2       | <b>503272</b> | Rivet-Pop 4.8 x 4.8      | <b>4</b> | 588068                 |         | Loom-Fan, 3 Pin 75V | <b>1</b> |
| 3       | <b>995649</b> | Plate-Mouting, Fan       | <b>1</b> | 590226                 |         | Loom-Switch, Fan    | <b>1</b> |
| 4       | <b>503671</b> | Grommet-Fan 14 OD x 6 ID | <b>4</b> | 590291                 |         | Lead-Earth          | <b>1</b> |



**995960**  
Zero Clearance  
Kit



| Item | Part No | Description             | Qty | Item | Part No | Description        | Qty |
|------|---------|-------------------------|-----|------|---------|--------------------|-----|
| 1    | 995164  | Panel-Top               | 1   | 8    | 995154  | Shield-Side Panel  | 2   |
| 2    | 995167  | Shield Assy-Top         | 1   | 9    | 995156  | Panel Assy-Side    | 2   |
| 3    | 995166  | Channel-Retainer        | 1   | 10   | 503388  | Nut-Spire          | 2   |
| 4    | 503429  | Rivet-Pop 3.2 Dia x 4.8 | 36  | 11   | 995196  | Bracket-Restraint  | 2   |
| 5    | 995159  | Panel Assy-Rear         | 1   | 12   | 503459  | Screw, S/T 12 x 25 | 6   |
| 6    | 503704  | Screw; S/T 8 x .5       | 34  | 13   | 995161  | Rail-Support       | 4   |
| 7    | 995157  | Shield-Rear Panel       | 1   | 14   | 995162  | Base Assy          | 1   |



**995962**  
Zero Clearance  
Fascia  
- Black

| Item | Part No | Description                      | Qty | Item | Part No | Description            | Qty |
|------|---------|----------------------------------|-----|------|---------|------------------------|-----|
| 1    | 795665  | Fascia-Top - Black               | 1   | 8    | 503593  | Washer, Flat 4 x 9 x 1 | 1   |
| 2    | 795667  | Fascia-Side RH - Black           | 1   | 9    | 503622  | Nut, M4                | 1   |
| 3    | 503259  | Screw, S/T 10 x .4               | 4   | 10   | 795668  | Fascia-Side LH - Black | 1   |
| 4    | 995663  | Stiffener-Fascia                 | 1   | 11   | 503674  | Switch-Fan ON/OFF/ON   | 1   |
| 5    | 584581  | Badge - Gold                     | 1   |      |         | <b>NOTILLUSTRATED</b>  |     |
| 6    | 503381  | Clip-Starlock 4 Dia              | 2   |      |         |                        |     |
| 7    | 503371  | Washer-Disc, Fan<br>5 ID x 10 OD | 1   |      | 590291  | Lead-Earth             | 1   |

**Bold Text** = Assemblies  
**Bulleted Text** = Items included in Assemblies

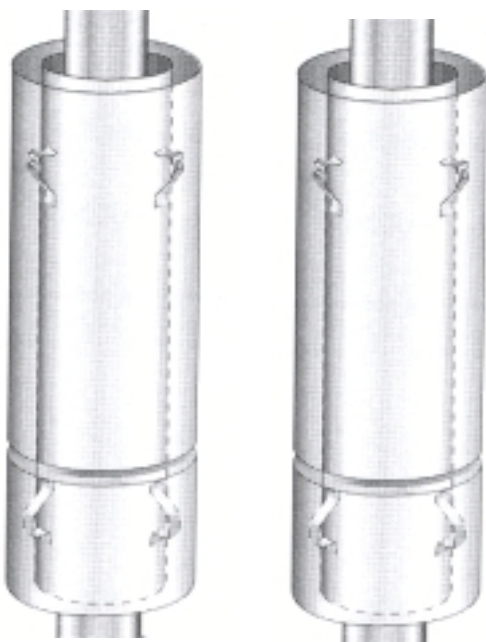
When ordering PLEASE QUOTE PART NUMBER & Description, NOT Illustration No.  
Determine right or left hand side from standing in viewing position



**150mm Zero Clearance Ceiling Kit  
551458**

**Kit Contains:**

- 1 x 150mm Combo Cowl 200mm/250mm
- 1x Outer Heat Sheild - Galvanised -1200mm x 200mm
- 1 x Outer Heat Sheild - Galvanised -600mm
- 1 x 150mm Stainless Steel Flue - 1200mm
- 1 x 150mm Stainless Steel Flue -600mm



**150mm Zero Clearance Extension Kit  
551459**

- 2 x Outer Heat Sheilds - 200mm/250mm - Galvanised - 1200mm
- 2 x 150mm Stainless Steel Flue x 1200mm





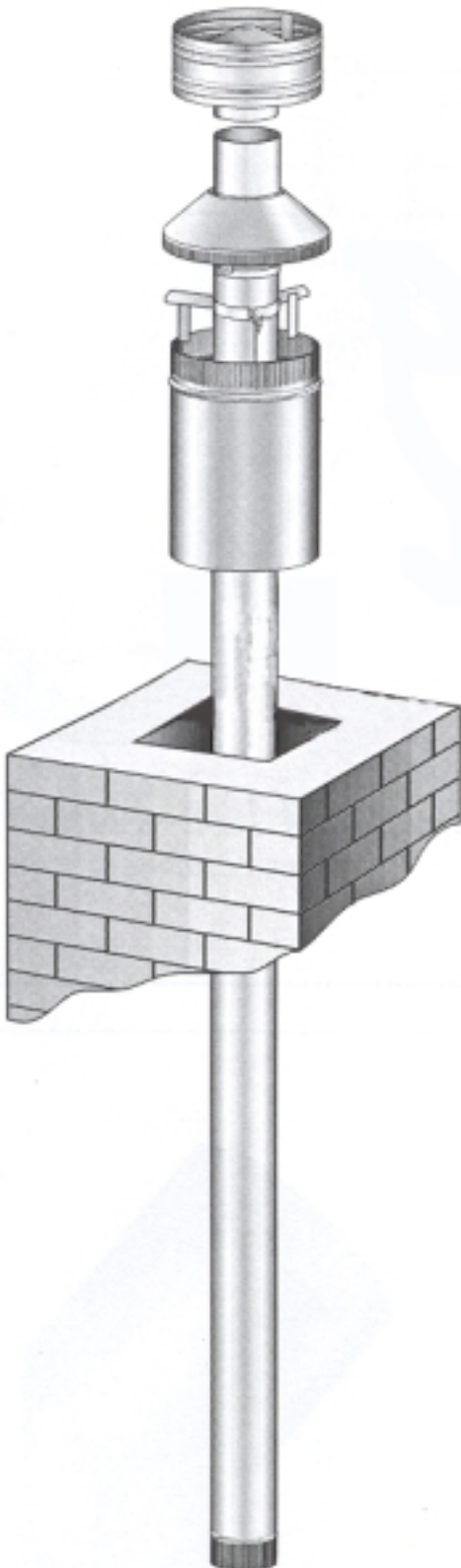
NZ ONLY

## 150mm Flue Kit

(to suit Provincial)

*Contains:*

- 3 x 1200mm lengths of Stainless Steel Flue
- 1 x 600mm length of Stainless Steel Flue
- 1 x 600mm length of Galvanised Outer Shield, 250mm Dia.
- 1 x Anti Down Draught Cowl
- 1 x Casing Cover
- 1 x top Flue Spacer Bracket



**Part No: 551460**



| <b>Item No</b>         | <b>Part No</b> | <b>Description</b>              | <b>Qty</b> |
|------------------------|----------------|---------------------------------|------------|
| <b>NOT ILLUSTRATED</b> |                |                                 |            |
|                        | <b>585416</b>  | Bag-Fire Bedding Sand (Firebox) | <b>1</b>   |
|                        | <b>584048</b>  | Tube-Maniseal (Firebox)         | <b>1</b>   |
|                        | <b>795687</b>  | Door Assy - No Glass - Black    | <b>1</b>   |
|                        | <b>595151</b>  | Owners Manual                   | <b>1</b>   |
| <b>ACCESSORIES</b>     |                |                                 |            |
|                        | <b>556123</b>  | Paint-Touch Up - Black          | <b>1</b>   |